

Installation Manual | Installationsanleitung | Notice d'installation | Instalación | Installazione

YAR01..05MAP.. Auffahrrampe | Drive-on Ramp | Rampe d'accès | Rampa de acceso | Rampa d'accesso

Drive-on ramp for Midrics weighing platforms (from size 800 x 800mm and up)

Auffahrrampe für Midrics Wägeplattformen (ab Größe: 800 x 800mm).

Rampe d'accès pour les plates-formes de pesée Midrics (à partir des dimensions 800 x 800 mm)

Rampa de acceso para plataformas de pesaje Midrics (a partir del tamaño 800x800 mm)

Rampa d'accesso per piattaforme di pesata Midrics (per dimensioni a partire da 800x800 mm)

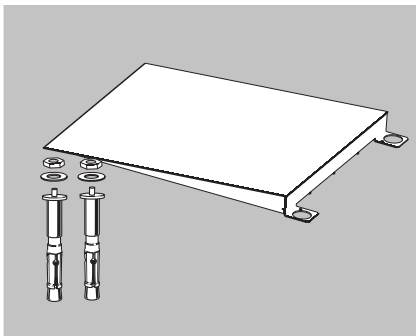
Fastening Kit for Midrics Weighing Platforms (Size 800 x 800 mm and Larger).

Fixierset für Midrics Wägeplattformen (ab Größe: 800x800 mm)

Kit de fixation des plate-formes de pesée Midrics (à partir des dimensions 800 x 800 mm)

Kit de fijación para plataformas de pesaje Midrics (a partir del tamaño 800x800 mm) y bastidor de cimentación.

Kit di fissaggio per piattaforme di pesata Midrics (a partir del tamaño 800x800 mm)



Equipment supplied:

- 1 Drive-on ramp
- 2 anchors, Ø10 mm dia
- 2 hexagon nuts
- 2 washers

Contenu de la livraison :

- 1 rampe d'accès
- 2 visseries de fixation Ø10 mm diamètre
- 2 écrous hexagonaux
- 2 rondelles plates

Equipaggiamento fornito:

- 1 rampa d'accesso
- 2 bulloni di fissaggio Ø10 mm
- 2 dadi esagonali
- 2 rondelle

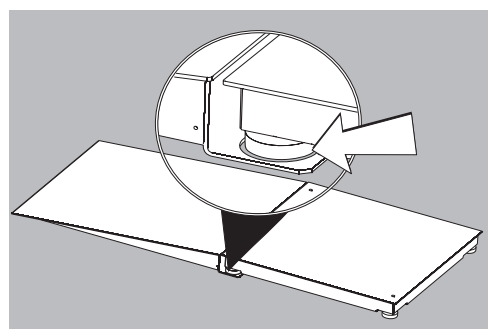
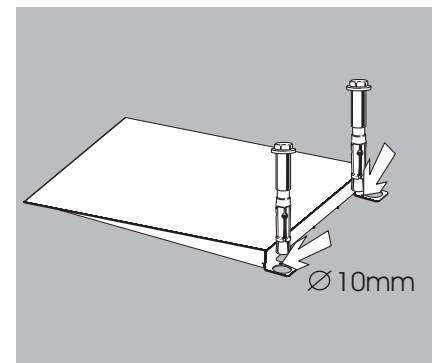
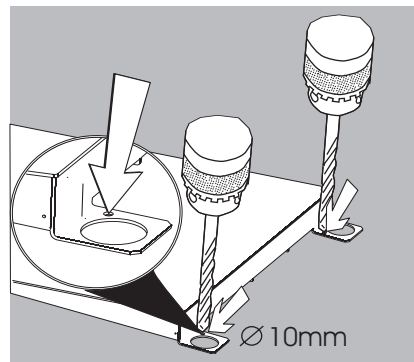
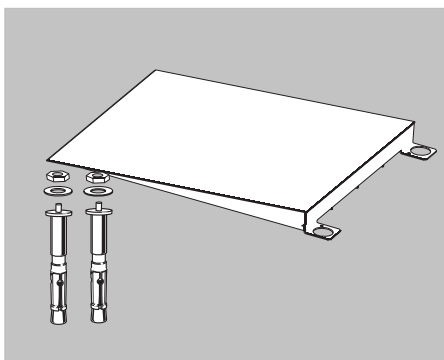
Lieferumfang:

- 1 x Auffahrrampe
- 2 x Bodenanker Ø10 mm
- 2x Sechskantmutter
- 2x Unterlegscheiben

Suministro:

- 1 Rampa de acceso
- 2 pernos de anclaje Ø10 mm diámetro
- 2 tuercas hexagonales
- 2 placas de apoyo

Installation | Installation | Installation | Instalación | Installazione



Sartorius AG

37070 Goettingen, Germany
Weender Landstrasse 94 - 108, 37075
Goettingen, Germany
Telefon (+49/551) 308-0, (+49/551) 308-
289
Fax 0551.308.3289
www.sartorius.com

All rights reserved. No part of this publication may be reprinted or translated in any form or by any means without the prior written permission of Sartorius AG.

The status of the information, specifications and illustrations in this manual is indicated by the date given below.

Sartorius AG reserves the right to make changes to the technology, features, specifications and design of the equipment without notice.

Status: may 2007
Sartorius AG, Goettingen, Germany

Status:
December 2006, Sartorius AG,
Goettingen, Germany
Printed in Germany on paper that has
been bleached without any use of chlorine
AT · KT
Publication No.: WYA6090-p07051