



The WZA-EX series



OEM Weigh Cell

Explosion protected

WZA64-X
WZA623-X

ATEX, FM and CSA approved

Outstanding features:

Explosion protected weigh cell for use in hazardous areas

- Zone 1 and 2 with gasses of group IIC and temperature class T4
- Zone 21 and 22 for dust atmospheres (Tmax =135°C)



II 2 GD EEx ib IIC T4 T135°C

KEMA 05 ATEX 1147

The weigh cell consist of two parts:

- Weigh cell mechanical system in stainless steel IP44 housing
- Stainless steel electronic box

Important accessories

- The interface converter YDI05-Z installed in the non hazardous area
- The power supply

- Monolithic weighing system with a resolution of 0.1 mg
- Excellent weighing technology bundled with easy adaptation
- Adjustable load receptor with overload protection, optional lift- off protection

USA:

- IS Class I, II, III, Division 1, Group A,B,C,D,E,F, G T4 for gas and dust atmospheres
- Class I, Zone 1, **Ex ib IIC T4** with gasses of group IIC and temperature class T4

Canada:

- Ex ia Class I, II, III, Division 1, Group A,B,C,D, E,F,G T4 for gas and dust atmospheres
- Class I, Zone 1, **Ex ib IIC T4** with gasses of group IIC and temperature class T4

USA



Canada

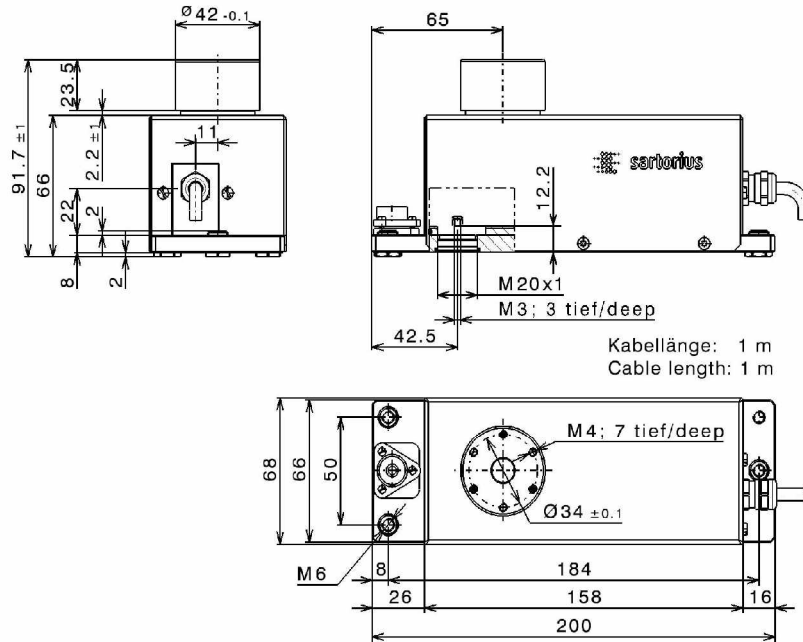


Model WZA...	64-X	623-X
Capacity	60 g	620 g
Readability	0.1 mg	1 mg



- Possibility for under floor weighing
- Fast warm-up by separation of weighing system and electronics
- RS232C interface for configuration and data transfer
- Optional PC-software or display to handle weighing data and configuration





WZA...-X

Dimensions in mm

Kabellänge: 1 m
Cable length: 1 m

Technical Data

Model	WZA64-X	WZA623-X
Capacity	60 g	620 g
Readability	0.1 mg	1 mg
Preload, minimal ¹⁾	105 ± 3 g	600 ± 8 g
Repeatability (standard deviation) ²⁾	≤ ± 0.1 mg	≤ ± 1 mg
Linearity	≤ ± 0.2 mg	≤ ± 2 mg
Measuring time ^{2) 3)}	2 s / ± 0.1 mg	1.5 s / ± 1 mg
Operating temperature range	+10 +30 °C	
Allowable temperature range	+5 +40 °C	
Weigh cell dimension	68 x 200 x 92 mm (base x height)	
Electronic / PCB dimension	224 x 118 x 43.3 mm (base x height)	
Cable length weigh cell to electronics	1 m	
Load receptor (adjustable, with overload protection)	42 mm (diameter), 26 mm height above housing	
Under floor load receptor	M3 thread	
Power supply unit for EU - YPS02-XDR for the hazardous area (UK - YPS02-XGR; USA/CA - YPS02-XKR)	100 ... 240 V _{AC} , 25VA, cable length: AC 3m, DC 3m	
Power supply unit for EU - YPS02-ZDR for non hazardous area (UK - YPS02-ZGR; USA/CA - YPS02-ZKR)	100 ... 240 V _{AC} , 25VA, cable length : AC 3m, DC 20m	
Interface converter in the non hazardous area YDI05-Z Option M52 and M56	RS232C cable for PC with 9-PIN COM Port, length 5m cable from electronic box to interface converter 20m RS-485 interface available on request	

Options / Accessories

Windows configuration software for test and adjustment	YAD01IS
Display for the hazardous area with 2.5m cable	YAC02FC-X
Weigh pan to realize lift off protection	YWP01WZA

Sartorius Weighing Technology GmbH
Weender Landstrasse 94-108
37075 Goettingen, Germany

Phone +49.551.308.0
Fax : +49.551.308.3502

info.mechatronics@sartorius.com
www.sartorius-mechatronics.com

- 1) the preload can be configured by using the YAD01IS software; higher preload will reduce the weighing range
- 2) depending on measurement equipment set-up and conditions;
- 3) measuring time is the time in which the measured value is in the given range around the static end value; test weight is approx. 25% of the weighing range.

Specifications are subject to change without notice.

Current status: July 2011
Version: 2.0